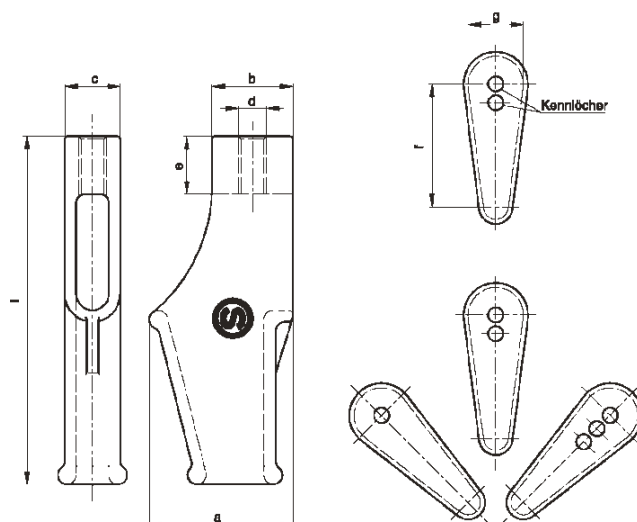


Instruction for the use of wedge sockets with threaded rod



rope-Ø	type	wedge socket housing	a	b	c	d	e	l	rope wedge	indicating holes	f	g	wedge socket with wedge	rated load
		item-no.							item-no.				item-no.	kN
4 - 5	14.40	KG1 0405 00 000 SSN	32	20	14	M6	13	88	K01 0405 00 000 SSN	0	50	16	KG1 0405 K0 000 SSN	1,1
6 - 8	14.45	KG1 0608 00 000 SSN	47	22	16	M10	13	123	K01 0608 00 000 SSN	1	79	23	KG1 0608 K0 000 SSN	3,5
6 - 7	14.52	KG1 0607 00 000 SSN	63	35	24	M12	25	150	K01 0607 00 000 SSN	3	85	30	KG1 0607 K0 000 SSN	4,9
8	14.52	KG1 0800 00 000 SSN	63	35	24	M12	25	150	K01 0800 00 000 SSN	2	81	24	KG1 0800 K0 000 SSN	4,9
9 - 12	14.52	KG1 0912 00 000 SSN	63	35	24	M12	25	150	K01 0912 00 000 SSN	1	76	20	KG1 0912 K0 000 SSN	4,9
10 - 12	14.56	KG1 1012 00 000 SSN	73	41	31	M16	25	163	K01 0800 OL 000 148	0	80	24	KG1 1012 K0 000 SSN	9,8
12 - 14	14.56	KG1 1214 00 000 SSN	73	41	31	M16	25	163	K01 0800 OL 000 148	0	80	24	KG1 1214 K0 000 SSN	9,8
12 - 16	14.60	KG1 1216 00 000 SSN	97	50	40	M20	35	218	K01 1216 00 000 SSN	0	112	36	KG1 1216 K0 000 SSN	14
19 - 20	14.70	KG1 1920 00 000 SSN	124	60	48	M24	42	251	K01 1920 00 000 148	0	148	52	KG1 1920 K0 000 SSN	19
21 - 22	14.80	KG1 2122 00 000 SSN	172	80	54	M30	52	340	K01 2225 00 000 148	0	190	78	KG1 2122 K0 000 SSN	25

General:

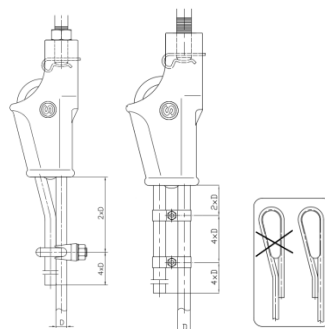
This instruction gives details about the safe use and the testing of rope end connections with wedge-sockets with threads for threaded rods.

The housings are marked with the material number.

If the rope end connection with this wedge-socket is exposed to raised temperatures (e. g. by fire), all parts of the rope end connection have to be replaced with new parts.

Installation:

1. Before installation housing and wedge have to be checked to ensure that they are free of errors, which may influence the operability of the connection.
2. Defective and damaged parts shall not be used. All parts have to be free of tears.
3. It is important, that only housing and wedge are used with the right dimensions for the particular wire rope. In any other case, a failure of the wire rope or of the wedge-socket could occur.
4. In no way changes of the housing or the wedge are allowed to be conducted.
5. It is not allowed to combine housings or wedges with parts of other producers. A wedge too large or a wedge with a wrong wedge-ankle cannot be settled far enough into the housing to provide a safe end connection. A wedge too small would be settled too far into the housing. This could lead to a failure of the end connection.
6. When a rope has to be assembled anew with a wedge socket as end connection, this can only happen by a shortening of the rope and attachment of the socket to another place of the rope. The flattening and/or damage of the rope aroused by the previous fastening, is not allowed to be at the bearing strand or in the clamping range on both side of the wedge socket housing and the wedge.
7. The housing has to be attached in such a way, that the bearing part cannot be deviated at the place where it leaves the housing.
8. When the rope end connection is made, the length of the dead rope saving should be long enough to provide a saving according to the prescriptions of the individual use. A saving of the dead rope end has to be added.
9. It is important that the wedge and the rope are fitting correctly into the housing before the device is put into operation when a rope end connection has been made or renewed. In any other case, the rope could be drawn through the housing or the wedge could trip from the housing, especially when the rope is new.
10. The wedge should be driven into the housing with the use of a wooden shim so that the rope end connection and the rope are not damaged. The wedge must fit correctly before the connection is put into use.
11. Stranded ropes tend to deformations when they are pulled around small radii, and could make a setting necessary, e. g. with a duct tape during the attaching of the housing. After this the setting should be removed as far as possible so that a testing of the rope is possible.
12. The fastening element screwed into the housing (threaded rod, bolt, etc.) has to be saved with an anti-twist device (e. g. safety pins).
13. It has to be proceeded with great care, if the tensile stress of the rope is reduced totally and a dissolving of the wedge is made possible.
14. Case depending (for example: lift construction) the housing has to be secured against twisting.



*Picture of examples of a dead rope saving,
which may be permitted in certain applications.*

Testing within the company:

With each checking of the rope the complete rope end connection (wedge-socket, wedge, fastening element, dead rope saving, etc.) shall be checked. The following should be considered especially:

- state of the wedge socket housing, e. g. tears, especially when noticed that the wedge is jutting out significantly
- The housing and the fastening element (threaded rod, bolt, etc.) should be checked for deformations, tears or other errors.
- the safe fit of the wedge
- state and availability of the dead rope saving and the anti-twist device

The housing and the wedge as well as the inside of the housing situate part of the rope have to be checked every time when the rope end connection is dismantled for any reasons. When it is noticed that the wedge or the housing or the rope are damaged, they have to be replaced.

Note:

The distance of the grip from the nearest part of the socket body should be no more than 40% of the overall length of the wedge, in order to avoid- if distance is too small - deforming the rope or - if the rope becomes slack and the distance is too great - prevent the wedge from falling clear of the socket body.