



# SLIDE GUIDES

SWIVEL SLIDING GUIDE SHOES

# COST-EFFECTIVE.

**E**LSCO'S SPRING-LOADED SWIVEL SLIDING GUIDE SHOES PROVIDE RIDE QUALITY IN A COST-EFFECTIVE PACKAGE IN THOSE APPLICATIONS THAT DO NOT ALLOW FOR THE INSTALLATION OF ROLLER GUIDES. UNSURPASSED BUILD QUALITY AND DURABLE MATERIALS ENSURE A LIFETIME OF RELIABLE PERFORMANCE, AND A COMPREHENSIVE ARRAY OF SIZES AND GIB LINER OPTIONS ENSURE THAT ELSCO SWIVEL SLIDING GUIDE SHOES ARE SUITABLE ACROSS A WIDE RANGE OF APPLICATIONS.

## FEATURES OF ELSCO SWIVEL SLIDING GUIDE SHOES:

**1. Spring-Loaded, Swivel-Mounted Shoes** allow the elevator to float between the rails in a controlled manner, greatly reducing the bumps and vibrations that adversely affect ride quality. Swivel-mounting allows the guide to follow the subtle contours of the rail, eliminating "slip-stop-slip" shudder and noisy performance.

**2. Optional Adjustable Stops** enable precise control of the car's overall postwise float between the rails.

**3. Quiet, Low-Friction Nylon Gibs** guarantee years of silent, trouble-free use. Optional molybdenum-disulfide-filled nylon gibs include a graphite-like solid lubricant impregnated into the gib material and provide added durability, particularly in applications where rails are not lubricated. Gibs are made to fit 5/8-in. (16mm) rail blades, and can be modified to fit 3/4-in. (19mm) rails.

**4. Durable Structural Components.** ELSCO slide guide castings are made from high-tensile-strength gray and ductile iron for an optimal combination of strength, durability, and light weight. High quality guide hardware ensures long life and ease of adjustment in the field. All components are inspected and assembled to exacting standards for a lifetime of reliable performance.

### Options and Factory Modifications Available

- Molybdenum Disulfide-filled nylon gibs are available for use on non-lubricated rails.
- Rail gibs can be modified to accommodate 18.5-lb. (T140-1B) rails.

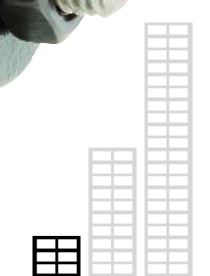
ELSCO roller guides and swivel sliding guide shoes offer a cost-effective approach for improving elevator ride quality by reducing the need for expensive, labor-oriented solutions and ongoing maintenance. That's why, to elevator contractors around the world, the ELSCO name is synonymous with quality and value. At ELSCO, We are ride quality.

Many factors must be considered when making a guide selection. Please call us to discuss your specific application.

◀ See inside for mounting instructions.

**ELSCO**

410.363.9020  
info@elscoguides.com

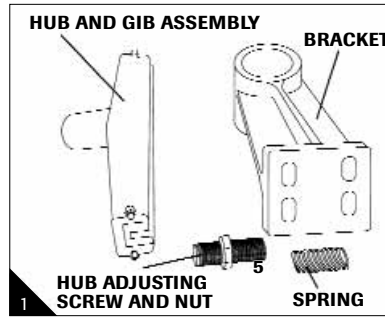


**A typical installation:**  
Passenger Elevator Cabin guides for Low-Rise Hydraulic Elevator.  
Speed: 100 fpm (0,5 m/s).  
Capacity: 2,500 lbs. (1,100 kg).

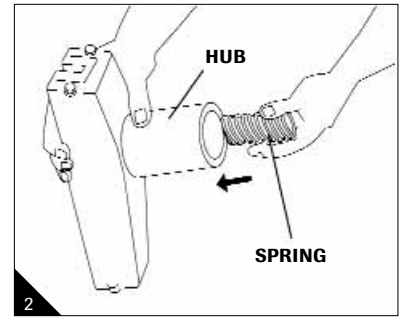


ELSCO's Swivel Sliding Guide Shoes are designed with adjustment features that provide the best possible riding characteristics when guide shoes are specified. The installer can easily adjust ELSCO's spring-loaded guide shoes to control postwise movement and help compensate for rail misalignment. For optimum performance, we recommend that elevator rails be properly aligned, cleaned and lubricated, if necessary, and the car balanced before installation.

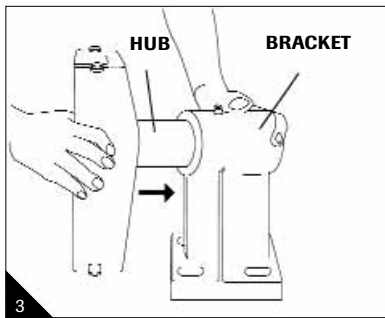
ELSCO guide shoes are carefully assembled, inspected, and packed to arrive in perfect condition. When your shipment arrives, inspect it carefully for damage and, if appropriate, immediately file a claim with the carrier. For the best results, read all instructions thoroughly before proceeding with the installation.



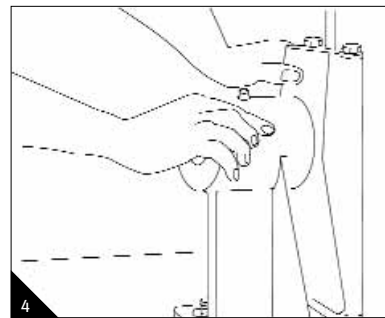
ELSCO's Swivel Sliding Guide Shoes include the following: hub and gib assembly, mounting bracket, spring and hub adjusting screw and nut. **Note:** If adjustable stops have been ordered, you will also receive a solid stop washer, an adjustable stop shaft, lock washer and nut.



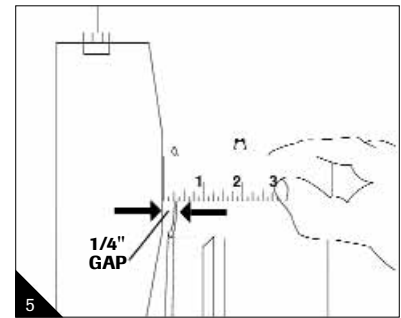
After verifying the proper location of the mounting holes (refer to mounting template), begin installation by inserting spring into the hub. **Note:** If installing adjustable stops, insert the solid stop washer into the hub before inserting the spring.



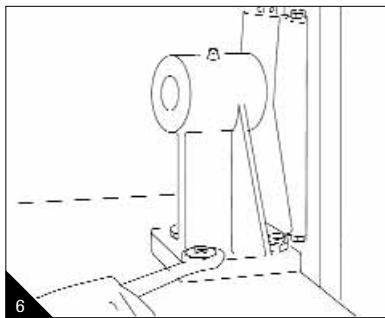
Slide the hub and gib assembly into the bracket.



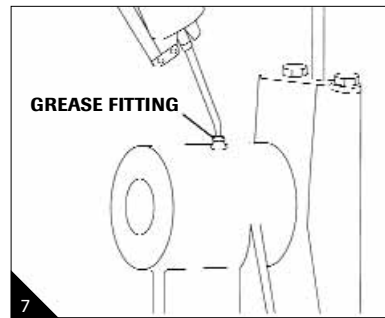
Position swivel sliding guide shoe onto the rail while lowering mounting bracket over the mounting hole or studs. Install mounting hardware (not included).



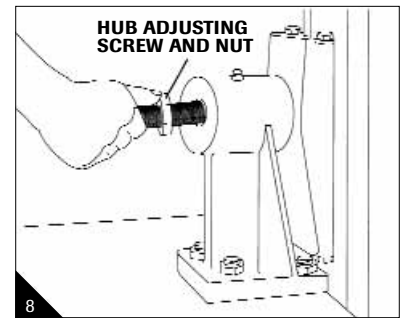
With gib seated firmly against the rail face, set 1/4" (6 mm) gap between the gib holder and bracket.



Securely tighten mounting bolts and/or nuts.

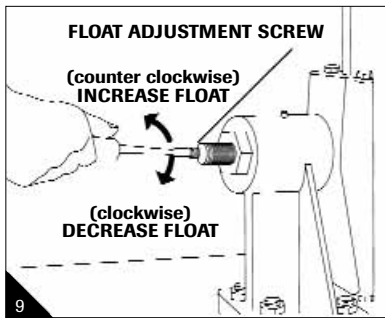


At this point, install the remaining guides on top of and/or beneath the elevator. Lubricate the fitting on each guide with general purpose grease until a small amount appears between the hub and bracket.

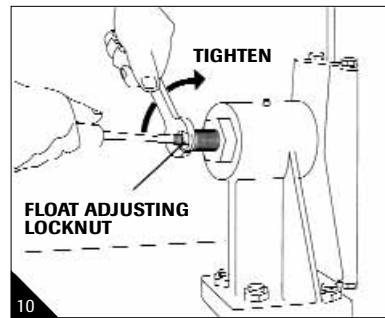


Insert hub adjusting screw and nut into bracket. Adjustment of this screw regulates the pressure of the gib against the face of the rail.

**If guides are equipped with adjustable stops, proceed with steps 9 and 10.**



To limit postwise float, turn adjustment screw clockwise until it makes contact with solid stop washer (installed in step 2 "Note"). At this point, there will be zero postwise float. To increase float, turn adjustment screw counterclockwise. **Note:** Each full turn equals 1/16" (2 mm).

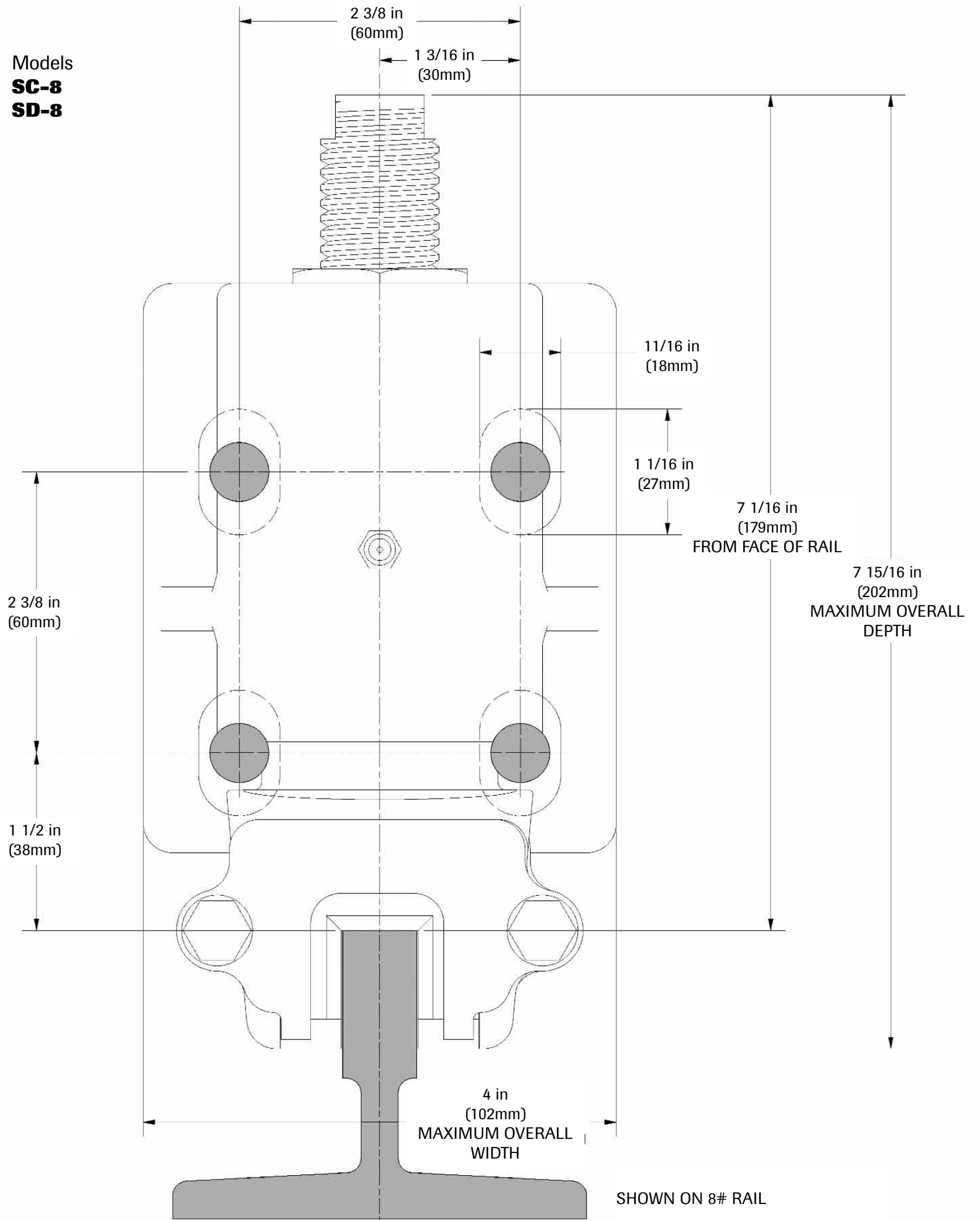


When the desired amount of postwise float is set, tighten the locknut securely while holding float adjustment screw in place.

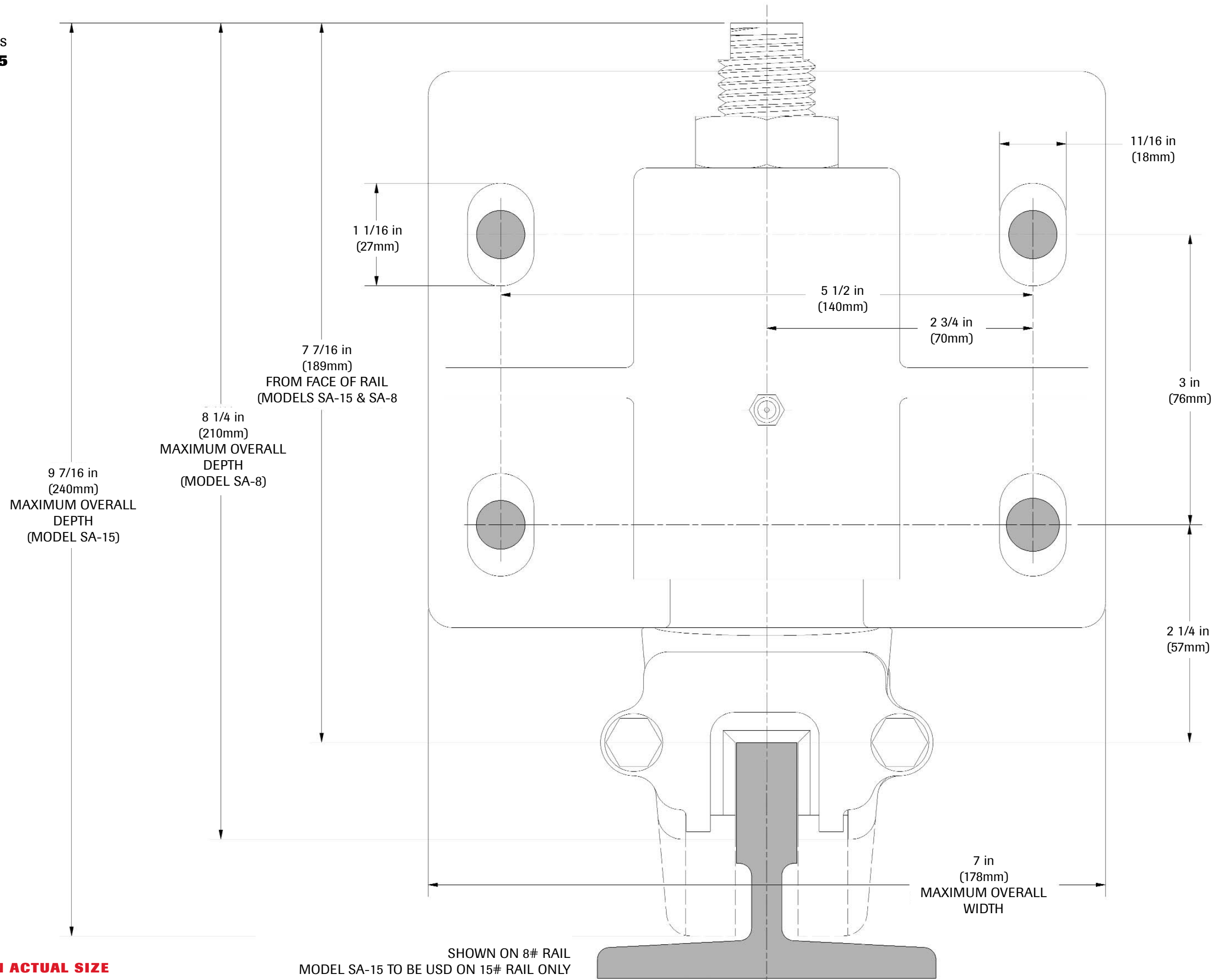
After all adjustments have been made, ride elevator in both the up and down direction at inspection speed to check hoistway clearances. Check to be sure that all mounting bolts and/or nuts, and adjustment locknuts are securely tightened. Make several more runs at operating speed, then recheck float (if applicable) before returning elevator to service.



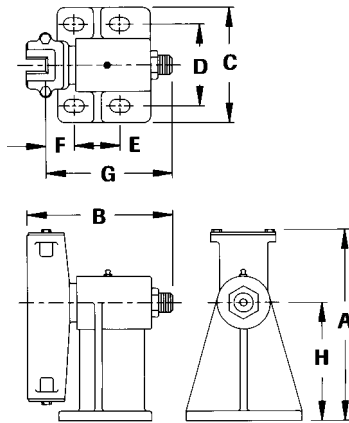
Models  
**SC-8**  
**SD-8**



Models  
**SA-15**  
**SA-8**



**TEMPLATES SHOWN ACTUAL SIZE**



### Swivel Guide Shoe Style and Dimensions

Model	Gib Style	Dimension							
		A	B	C	D	E	F	G	H
SD-15	HI-WALL	10" (254mm)	9" (229mm)	7" (178mm)	5 1/2" (140mm)	3" (76mm)	2 1/4" (57mm)	7 1/8" (181mm)	6 1/8" (156mm)
SA-8	LO-WALL	10" (254mm)	8" (203mm)	7" (178mm)	5 1/2" (140mm)	3" (76mm)	2 1/4" (57mm)	7" (178mm)	6 1/8" (156mm)
SC-8	LO-WALL	10" (254mm)	7 5/8" (194mm)	4 1/4" (108mm)	2 3/8" (60mm)	2 3/8" (60mm)	1 1/2" (38mm)	6 5/8" (168mm)	6 1/8" (156mm)
SD-8	LO-WALL	7" (178mm)	6 3/4" (171mm)	4 1/4" (108mm)	2 3/8" (60mm)	2 3/8" (60mm)	1 1/2" (38mm)	5 3/4" (146mm)	3 3/4" (95mm)

Note: All metric dimensions are rounded off to the nearest millimeter

### Rail Gib Style and Dimensions Available in Nylon or Molybdenum Disulfide-Filled Nylon

Model	Gib Style	Dimension				
		I	J	K	L	M
SA-15	15 lb HI-WALL GIB	2 3/8" (60mm)	1 7/8" (48mm)	5/8"* (16mm)	1 11/16" (43mm)	8 1/2" (216mm)
SA-8/ SC	8 lb LO-WALL GIB	1 1/2" (38mm)	1" (25mm)	5/8"* (16mm)	1 11/16" (43mm)	8 1/2" (216mm)
SD-8	8 lb LO-WALL GIB	1 3/8" (35mm)	1" (25mm)	5/8" (16mm)	1 3/8" (35mm)	5 1/2" (140mm)

\*3/4" (19mm) Available for Model SA-15 and SA-8 Swivel Guides

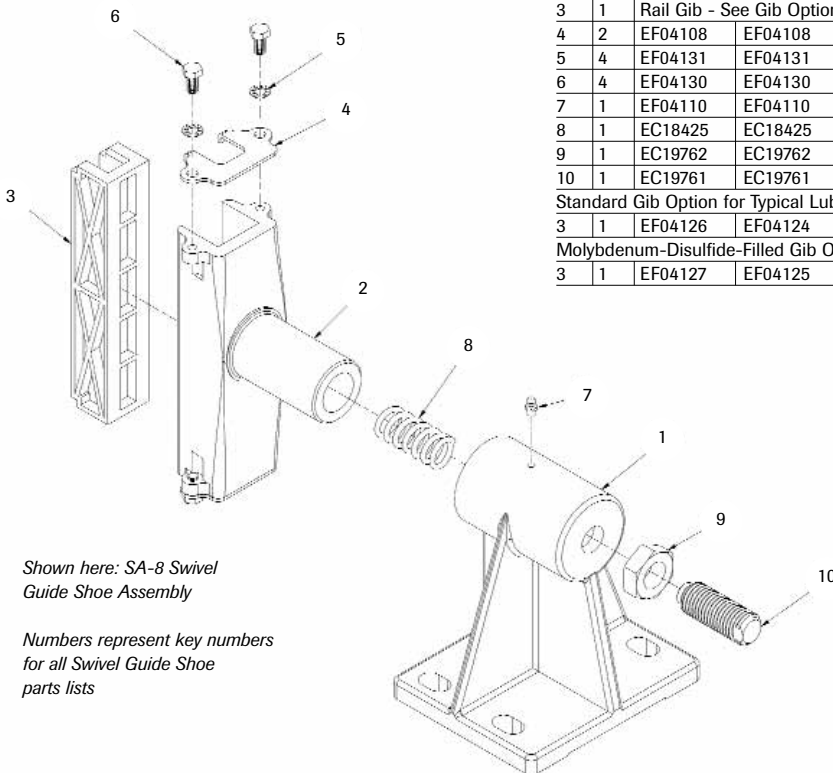
Note: All metric dimensions are rounded off to the nearest millimeter

### Swivel Guide Shoes

Key	Req.	Part #				Description
1	1	SA-15 EF04101	SA-8 EF04101	SC-8 EF04102	SD-8 EF04104	Bracket
2	1	EF04103	EF04100	EF04100	EF04105	Hub
3	1	Rail Gib - See Gib Options Below				
4	2	EF04108	EF04108	EF04108	EF04119	End Cap
5	4	EF04131	EF04131	EF04131	EF04131	Lock Washer
6	4	EF04130	EF04130	EF04130	EF04130	Cap Screw
7	1	EF04110	EF04110	EF04110	EF04110	Grease Fitting
8	1	EC18425	EC18425	EC18425	EC18425	Hub Spring
9	1	EC19762	EC19762	EC19762	EC19762	Hub Adjustment Locking Nut
10	1	EC19761	EC19761	EC18414	EC18414	Hub Adjustment Screw
Standard Gib Option for Typical Lubricated Installations:						
3	1	EF04126	EF04124	EF04124	EF04128	Nylon Gib
Molybdenum-Disulfide-Filled Gib Option for Added Abrasion Resistance:						
3	1	EF04127	EF04125	EF04125	EF04129	Molybdenum-Disulfide-Filled Nylon Gib

### Notes:

- Top Level Assembly for SA-15 Swivel Guide Shoe with Nylon Gib is EF04113.
- Top Level Assembly for SA-15 Swivel Guide Shoe with Moly-Filled Gib is EF04114.
- Top Level Assembly for SA-8 Swivel Guide Shoe with Nylon Gib is EF04111.
- Top Level Assembly for SA-8 Swivel Guide Shoe with Moly-Filled Gib is EF04112.
- Top Level Assembly for SC-8 Swivel Guide Shoe with Nylon Gib is EF04115.
- Top Level Assembly for SC-8 Swivel Guide Shoe with Moly-Filled Gib is EF04116.
- Top Level Assembly for SD-8 Swivel Guide Shoe with Nylon Gib is EF04117.
- Top Level Assembly for SD-8 Swivel Guide Shoe with Moly-Filled Gib is EF04118.
- Adjustable Stop Kits are available as an option for all swivel guide shoe models under part no. EC18412.



Shown here: SA-8 Swivel Guide Shoe Assembly

Numbers represent key numbers for all Swivel Guide Shoe parts lists