

PRP Display and Navigation Box

The Retrofit Display

Product Datasheet



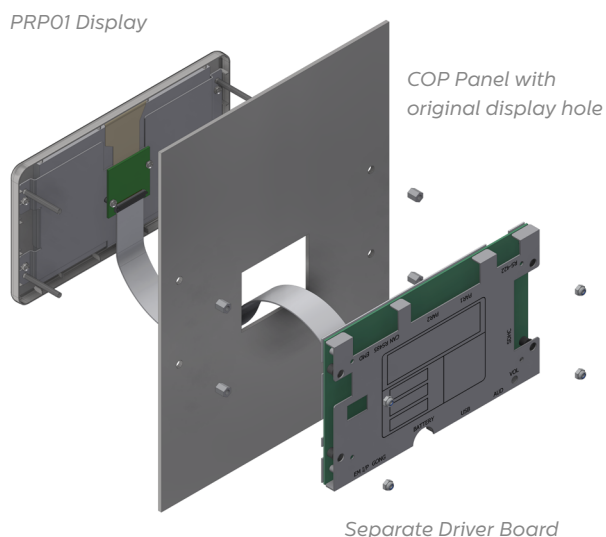
The unique retrofit solution. Less wiring, less time, less hassle.

The E-Motive PRP with Navigation Box is the only option for easily upgrading to an eye-catching LCD solution. Fit the PRP display and Nav Box without having to worry about replacing the entire COP, wiring up to the controller, having the correct lift protocol or having the wrong configuration on the display.

The PRP can be mounted anywhere within the elevator car with minimal modification to the metalwork. Once installed simply configure your layout using the on-board programming tool or via USB transfer using the drag and drop layout designer and your display is ready to go. The Navigation Box allows the display to have floor position without connection to the Lift Controller.

The installer-friendly PRP is cost-effective and quick to fit. It is also available in a range of colours to improve the look and feel of any installation.

Exploded view of PRP installation



Key Features

- + Simple and quick installation for retrofit applications
- + Tact switch or hall effect sensor allowing on-board configuration on the display
- + Elevator position information without need of lift controller
- + Easy to use drag and drop content management software
- + Wide viewing angle
- + USB socket for programming
- + CANopen option available

Example Layout



Technical Specification

Screen Size	7"
Model No.	PRP01-070
DISPLAY	
LCD Display Type	TFT
Colour Depth ¹	High Colour
Resolution ²	800 x 480
Aspect Ratio	16:9
Viewing Area (W x H mm) ²	156 x 89
Horizontal Viewing Angle (°) ²	+70/-70
Vertical Viewing Angle (°) ²	+50/-70
Luminance (cd/m ²)	250
Contrast Ratio ²	500:1
ELECTRICAL & ENVIRONMENTAL	
Operating Voltage (VDC) ⁴	24
Backlight MTBF (Hrs) ^{2,3}	20,000
Typical Current Consumption (A) ^{5,7}	0.25
Typical Power Consumption (W) ^{6,7}	6
Operating Temperature (°C) ²	0 ~ 50
MECHANICAL	
Overall Dimensions – Screen (W x H x D mm) ³	Display Frame: 205 x 115 x 10.5 (excluding studs of 30mm) Controller Board: 196 x 143 x 14
COMMUNICATION & I/O INTERFACES	
Signal Interface	Serial ⁸ E-Motive 4-wire/RS485 Parallel: 12-bit discrete MK CAN Bus CANopen ⁹
Network Interface	DCP ¹⁰
I/O Interface	Hall Lantern and Gong

Notes

- ¹High Colour supports 16-bit colour
- ² Specifications vary based on sizes and manufacturer of LCD panel
- ³ Brightness to be decreased to 50% of the initial value
- ⁴ Voltage tolerance within + / - 10%
- ⁵ Based on operating voltage of 24VDC
- ⁶ Typical measurement relative to display only. Varies with content.
- ⁷ Will consume additional power/current if annunciation is turned on
- ⁸ The communication through lift interface of different lift controller is done through E- Motive's encoder board (sold separately)
- ⁹ CANopen is not included as standard
- ¹⁰ DCP - Digital Communication Platform. Contact your local sales rep for more details.

PRP and Nav Box Ordering Information

Part No.	Description
PRP01-070-3-62-920	LCD 7" Chrome G4/RS485/MK-CAN/12bit
PRP01-070-3-62-921	LCD 7" MattBlk G4/RS485/MK-CAN/12bit
PRP01-070-3-62-924	LCD 7" Chrome with Nav Box (2m cable)
PRP01-070-3-62-925	LCD 7" MattBlk with Nav Box (2m cable)
NAV01-M0-900	Navigation Box
146-2-0-0018	230/110VAC 24VDC Switching Power Supply Unit*

*Optional accessory

As a result of our policy of continual improvement, the information in this document is subject to change without notice and it is intended only as general guidance on product performance and suitability. This information shall not form part of any contract.

AVIRE

E-Motive is a brand of Avire

Avire Ltd

Unit 1, The Switchback
Gardner Road
Maidenhead
Berkshire
SL6 7RJ, UK

T: 01628 540100
F: 01628 621 947
E: sales.uk@avire-global.com
W: www.avire-global.com

