

ETN®-oil collecting pots with/without magnet hold system



Our round ETN®-oil collecting pot is designed for universal application on guide rail widths 5 - 16 mm.

The square **pot** was developed for guide rail widths 5 - 28,6 mm. On the basis of its small depth, it can be used particularly in shafts with restricted space.

For both types we are able to deliver a **magnet holder system**. It will be possible to fix the reservoir at **any position at the rail** safely and **without an extra supporting surface**. It is therefore possible to collect oil at the guide rails before it end up on the shaft floor.

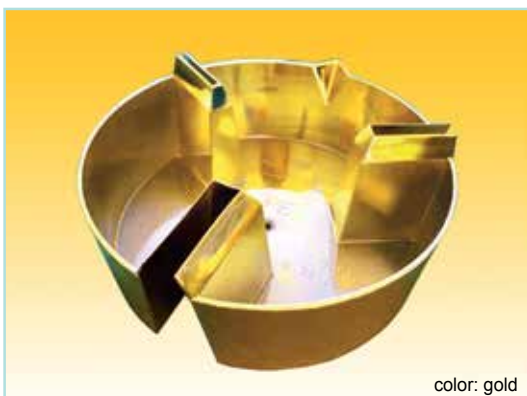
You can use this simple fixing **without any tools**. It consists of a magnet holder which has more than enough adhesive power, that **slipping is impossible even if the rail is strongly greased**. This magnet holder is embraced in a mount, which has a special geometry like a **sliding guide**. As a result the collecting pot will **always stay into the right position** at the guide rail.

The oil collecting pot has a very low centre of gravity. Like this you can put the reservoir **directly at the shaft floor, too - without magnet holder system**.

Article	Art.no.	Guide rail widths [mm]	Guide rail overhang [mm]	Total depth [mm]	Pot width [mm]	Pot height [mm]
Oil collecting pot, round						
Oil collecting pot, turquoise, round	306 008	5 - 16	113 - 120	160	Ø 160	50
Oil collecting pot, white, round	306 001					
Oil collecting pot, black, round	306 003					

Note

The mounting with magnet hold system at the end of the rail prevents the contamination of the shaft floor by sloping and spilling oil drops, further details on page 32.



Note

If the order amount is ≥ 1.000 pieces, you can choose the color and - for additional charge - your logo.

ETN®-oil collecting pots with/without magnet holder system

Article	Art.no.	Guide rail widths [mm]	Guide rail overhang [mm]	Total depth [mm]	Pot width [mm]	Pot height [mm]
Oil collecting pot, square, very low						
Oil collecting pot, square, very low	306 074	9 - 10*	30	70	200	20

Article	Art.no.	Guide rail widths [mm]	Guide rail overhang [mm]	Total depth [mm]	Pot width [mm]	Pot height [mm]
Oil collecting pot, square, low						
Oil collecting pot, square, low	306 020	5 - 6	32,5	76	120	60
	306 021	9 - 10				
	306 022	16				

Article	Art.no.	Guide rail widths [mm]	Guide rail overhang [mm]	Total depth [mm]	Pot width [mm]	Pot height [mm]
Oil collecting pot, square						
Oil collecting pot, square	306 077	5	32,5	76	120	70
	306 076	9 - 10				
	306 075	16				
	306 078	30*				

Article	Art.no.	Guide rail widths [mm]	Guide rail overhang [mm]	Total depth [mm]	Pot width [mm]	Pot height [mm]
Oil collecting pot, square, high						
Oil collecting pot, square, high	306 007	5 - 6	32,5	76	120	110
	306 006	9 - 10				
	306 005	16				
	306 015	19				
	306 016	28,6*				

* not suitable with magnet holder system

It will not always be possible to use a round oil-collecting pot, especially if the guide rails are too close to the wall. For that case we offer a large program of square pots to solve this problem.

All versions for guide rail widths 5 – 19 mm can be supplied, no matter with or without magnet holder. And there is no need for an adapter.

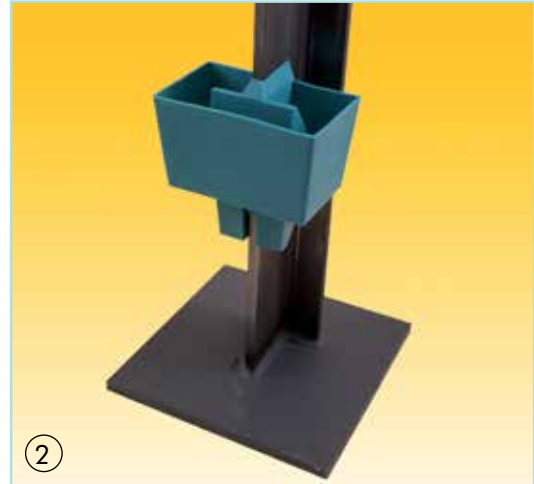
No hold system for rails 28.6 mm is available. The container must be positioned directly on the floor or you create a higher touchdown area as required.

All oil-pots inclusive adapter and magnet holder are made out of special ETN®-plastic. Of course the material is oil-resistant and a permanent elasticity of the lips is guaranteed, even after heavy use.

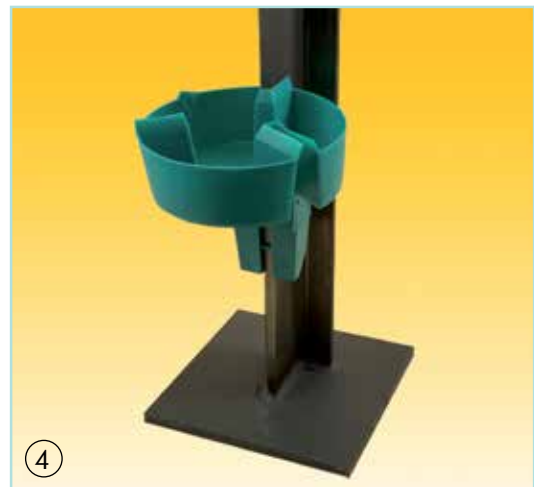


The mounting with the magnet hold system at the end of the rail prevents the contamination of the shaft floor by sloping and spaying oil drops, further details on page 32.

ETN[®]-magnet hold system



Article	Art.no.	Guide rail widths [mm]
Magnet hold system, two-part	306 010	5 - 19



Article	Art.no.	Guide rail widths [mm]
Oil collecting pot, round		
plastic platform for round oil-collecting pot	306 014	5 - 16

Image 1 shows the magnet hold system lying down and above the fastening to the guide rail. The system sets a defined distance with both of the bars so that the pot (image 2), you put on, encloses the rail firmly. At Image 3 the hold system with the platform for round pots is illustrated in addition. Image 4 shows the complete compilation.



The mounting with the magnet hold system at the end of the rail prevents the contamination of the shaft floor by sloping and spaying oil drops.