

Installation and Setting Instructions

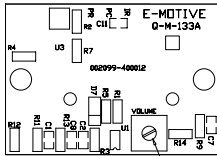
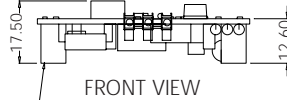
110V EN-BUZZ Bleeper Board Connection Details

Publication Number - II111/1211

Part Number: 002099-400111

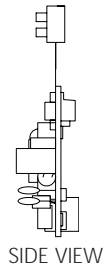
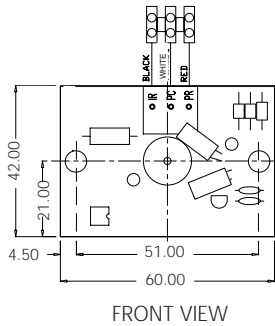
EN-BUZZ
Bleeper Board
P/N 002099-400012

2 off 11mm spacers



BOTTOM VIEW

VOLUME



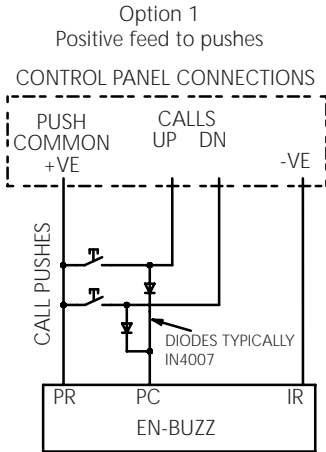
Dewhurst UK Manufacturing Ltd

Unit 9, Hampton Business Park - Feltham - TW13 6DB - UK

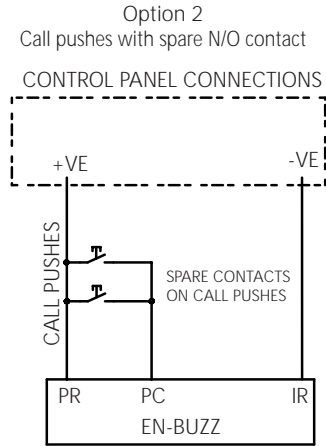
Tel: +44 (0)20 8744 8200 Fax: +44 (0)20 8744 8299

Email: info@dewhurst.co.uk www.dewhurst.co.uk

110V EN-BUZZ Connection Diagram when used on a 4 wire call system



Circuits shown are for intermediate landing stations. Similar circuits for terminal and car call stations.



NOTE:
EN-BUZZ can operate on voltages from 50V to 110V d.c.

The buzzer will sound with each operation of the call button.