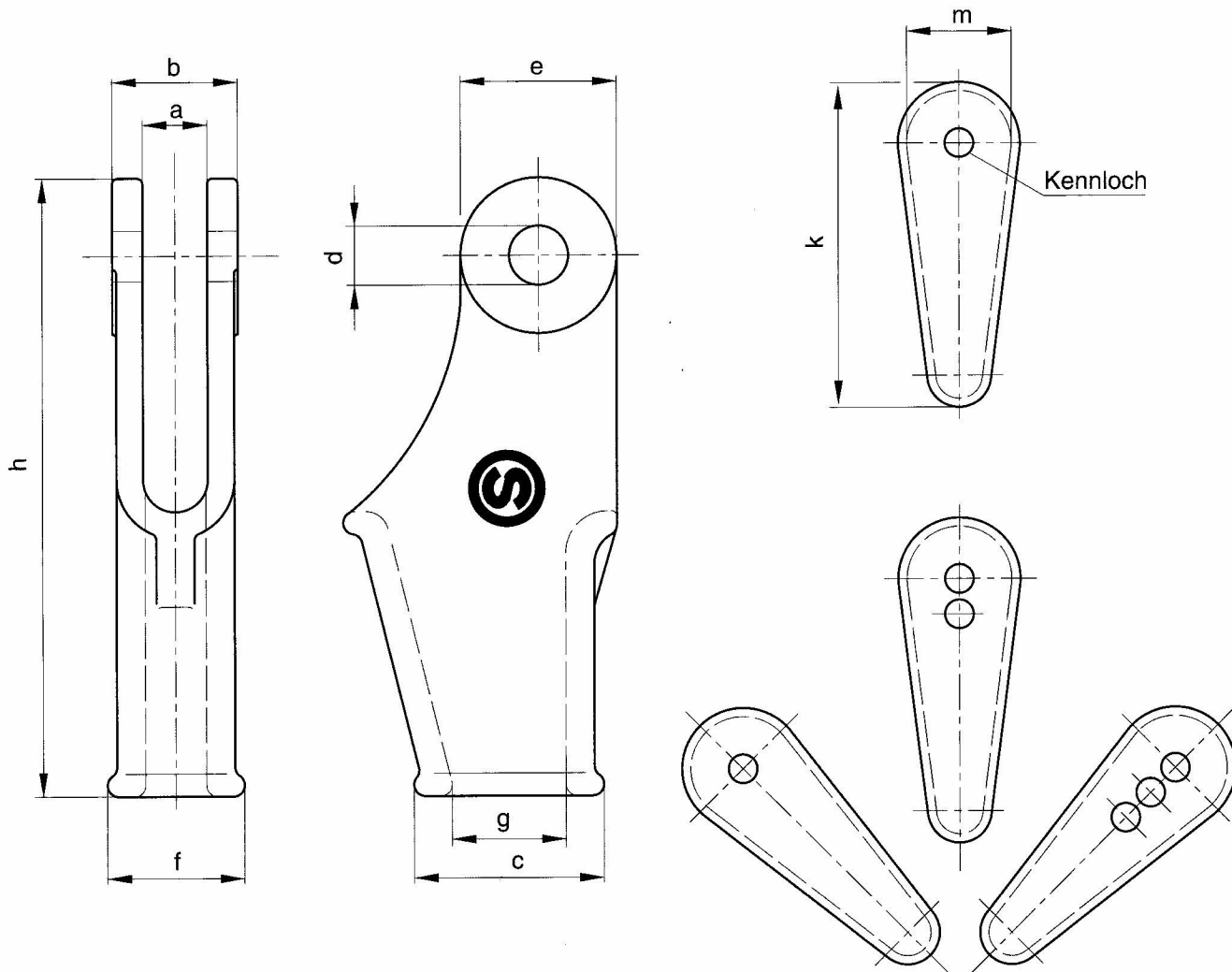




Keilendklemmen nach DIN 43148 wedge sockets acc. to DIN 43148

feuerverzinkt / hot-dip galvanized



Seil rope Ø	Keilendklemmgehäuse wedge socket housing Art.-Nr. / item-no.	a	b	c	d	e	f	g	h	Werkstoff d. Gehäuse material of housing	Nutzlast rated load kN	Seil-Keil rope wedge Art.-Nr. / item-no.	Kennlöcher indicating holes	k	m
2 - 4	KK2 0204 00 000 148*	8	15	27	7,5	16	13	16,5	66	GTW 40	1	K02 0204 00 000 148	0	37	12,5
4 - 5	KK2 0405 00 000 148*	12	23	37	12	31	23	27,5	108	GTW 40	2,5	K01 0405 00 000 148	0	67	16
6 - 7	KK2 0607 00 000 148	14	26	61,5	14	35	30	39	150	GTW 40	5	K02 0607 00 000 148	3	85	30
8	KK2 0800 00 000 148	14	26	61,5	14	35	30	39	150	GTW 40	5	K02 0800 00 000 148	2	81	24
9 - 12	KK2 0912 00 000 148	14	26	61,5	14	35	30	39	150	GTW 40	5	K02 0912 00 000 148	1	76	20
10 - 12	KK2 1012 00 000 148	17	31	66	17	37	32	47	163	GTW 40	10	K02 1012 00 000 148	2	81	24
12 - 14	KK2 1214 00 000 148	17	31	66	17	37	32	47	163	GTW 40	10	K02 1214 00 000 148	1	76	20
12 - 15	KK2 1215 00 000 148*	20	40	99	20	54	44	65	220	GGG 50	25	K02 1215 00 000 148	0	107	36
16 - 17	KK2 1617 00 000 148*	24	52	138	25	54	54	89	220	GS26CrMo4V1	55	K02 1617 00 000 148	0	148	56
16 - 20	KK2 1620 00 000 148*	24	52	138	25	76	54	89	273	GS26CrMo4V1	55	K02 1620 00 000 148	0	136	49
19 - 20	KK2 1920 00 000 148*	29	63	138	25	77	67	97	276	GS26CrMo4V1	80	K02 1920 00 000 148	0	161	52
21 - 26	KK2 2126 00 000 148*	30	66	175	33,5	80	69	124	370	GS26CrMo4V1	68	K02 2126 00 000 148	0	210	81
24 - 26	KK2 2426 00 000 148*	30	66	175	33,5	80	69	124	370	GS26CrMo4V1	68	K02 2426 00 000 148	0	179	77
27 - 32	KK2 2732 00 000 148*	37	91	199	48,5	112	82	135	486	GS26CrMo4V1	100	K02 2732 00 000 148	0	212	88

* außer Norm / out of standard