



Flex-Mount™

- ✓ Scribed and Marked for Proper Installation
- ✓ No Need to Fabricate Custom Adapter Plates



ELSCO's Flex-Mount™ Universal Adapter Plate

Unlike traditional adapter plates, ELSCO's Flex-Mount™ brings the following benefits:

- ✓ No Detailed Field Survey Required
- ✓ Precision alignment every time
- ✓ ASME Compliant
- ✓ Seismic Zone Compliant (seismic models only)

Seismic Part Numbers	
Car 15# Rail	EA07100-S-15
Car 18# Rail	EA07100-S-18
Car 22# Rail	EA07100-S-22
Car 30# Rail	EA07100-S-30
Counterweight 8# Rail	EC07100-S-08
Counterweight 15# Rail	EC07100-S-15
Counterweight 18# Rail	EC07100-S-18

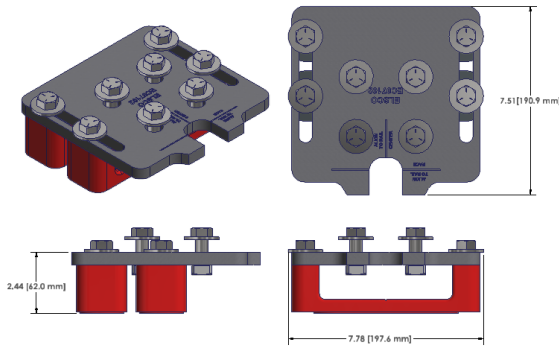
Standard Part Numbers	
Car	EA07100
Counterweight	EC07100



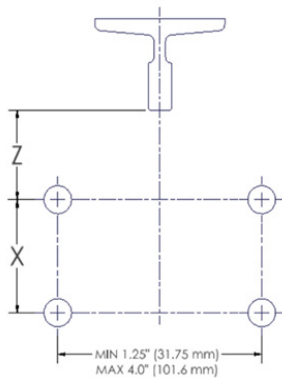
Pins, assembly hardware*, and drill bit supplied.

*Elevator mounting hardware not included.

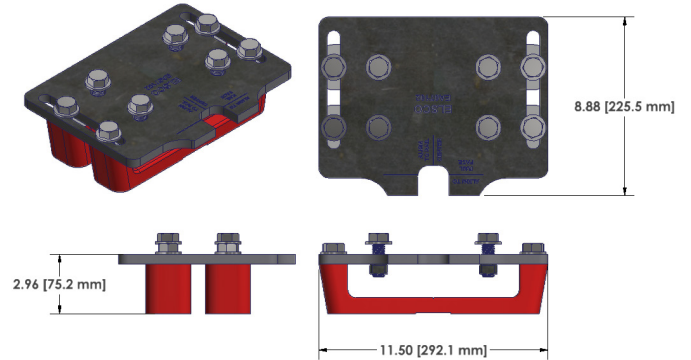
Counterweight Dimensions



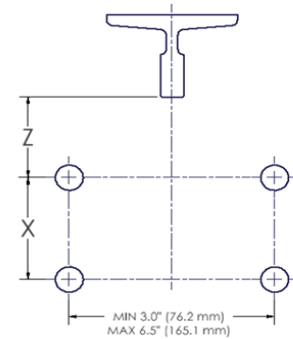
Note: X (Max) = 5.646" - Z



Car Dimensions



Note: X (Max) = 6 7/8" - Z



Counterweight Compatible Hole Patterns

Z, Front Bolt-to-Rail Face, in	X, Front-to-Rear Bolt, in	
	Min	Max
Increments of 1/4"		
1 1/2 (38.1 mm)	2 1/8 (54.0 mm)	4 1/8 (104.8 mm)
1 3/4 (44.5 mm)	2 1/8 (54.0 mm)	3 7/8 (98.4 mm)
2 (50.8 mm)	2 1/8 (54.0 mm)	3 5/8 (92.1 mm)
2 1/4 (57.2 mm)	2 1/8 (54.0 mm)	3 3/8 (85.7 mm)
2 1/2 (63.5 mm)	2 1/8 (54.0 mm)	3 1/8 (79.4 mm)
2 3/4 (69.9 mm)	2 1/8 (54.0 mm)	2 7/8 (73.0 mm)
3 (76.2 mm)	2 1/8 (54.0 mm)	2 5/8 (66.7 mm)
3 1/4 (82.6 mm)	2 1/8 (54.0 mm)	2 3/8 (60.3 mm)
3 1/2 (88.9 mm)	2 1/8 (54.0 mm)	2 1/8 (54.0 mm)

Car Compatible Hole Patterns

Z, Front Bolt-to-Rail Face, in	X, Front-to-Rear Bolt, in	
	Min	Max
Increments of 1/4"		
1 5/8 (41.3 mm)	2 1/2 (63.5 mm)	5 1/4 (133.4 mm)
1 7/8 (47.6 mm)	2 1/2 (63.5 mm)	5 (127.0 mm)
2 1/8 (54.0 mm)	2 1/2 (63.5 mm)	4 3/4 (120.7 mm)
2 3/8 (60.3 mm)	2 1/2 (63.5 mm)	4 1/2 (114.3 mm)
2 5/8 (66.7 mm)	2 1/2 (63.5 mm)	4 1/4 (108.0 mm)
2 7/8 (73.0 mm)	2 1/2 (63.5 mm)	4 (101.6 mm)
3 1/8 (79.4 mm)	2 1/2 (63.5 mm)	3 3/4 (95.3 mm)
3 3/8 (85.7 mm)	2 1/2 (63.5 mm)	3 1/2 (88.9 mm)
3 5/8 (92.1 mm)	2 1/2 (63.5 mm)	3 1/4 (82.6 mm)
3 7/8 (98.4 mm)	2 1/2 (63.5 mm)	3 (76.2 mm)
4 1/8 (104.8 mm)	2 1/2 (63.5 mm)	2 3/4 (69.9 mm)
4 3/8 (111.1 mm)	2 1/2 (63.5 mm)	2 1/2 (63.5 mm)