

## EN-BUZZ

### (Audible Bleeper) PCB (Standard & Loud) 24V d.c.

#### Publication Number PB168/0617

#### Application

The EN-BUZZ bleeper board is used to create a bleep tone each time a call button is pressed and acknowledged in the lift car or at a landing station. This is a requirement of EN81-70 (Accessibility to lifts for persons including persons with disability). There are two types of EN-BUZZ available, Standard (used with grille) and loud (used without grille). A 110V d.c. Standard version is also available, please refer to publication number PB169.

The EN-BUZZ has been designed to work with any button and controller where the button and illumination is wired using a 3 wire method. The common supply (24V d.c.  $\pm$  20%) to the button and illumination can be either polarity. One EN-BUZZ will be required for each set of car buttons and each landing station.

**Important:** Controller output switching the illumination voltage must have a volt drop of <1 volt.

For further information regarding the wiring of an EN-BUZZ please refer to installation instruction II110.

#### Operation

On operation of a call button and the acknowledgement of the call, the EN-Buzz will bleep. If the call has already been acknowledged the EN-Buzz will also bleep. The volume of the unit can be adjusted using the volume control POT on the back of the PCB.

#### Installation

The EN-BUZZ board should be mounted in each car and landing station, as per the grille and studding details on the drawings overleaf.

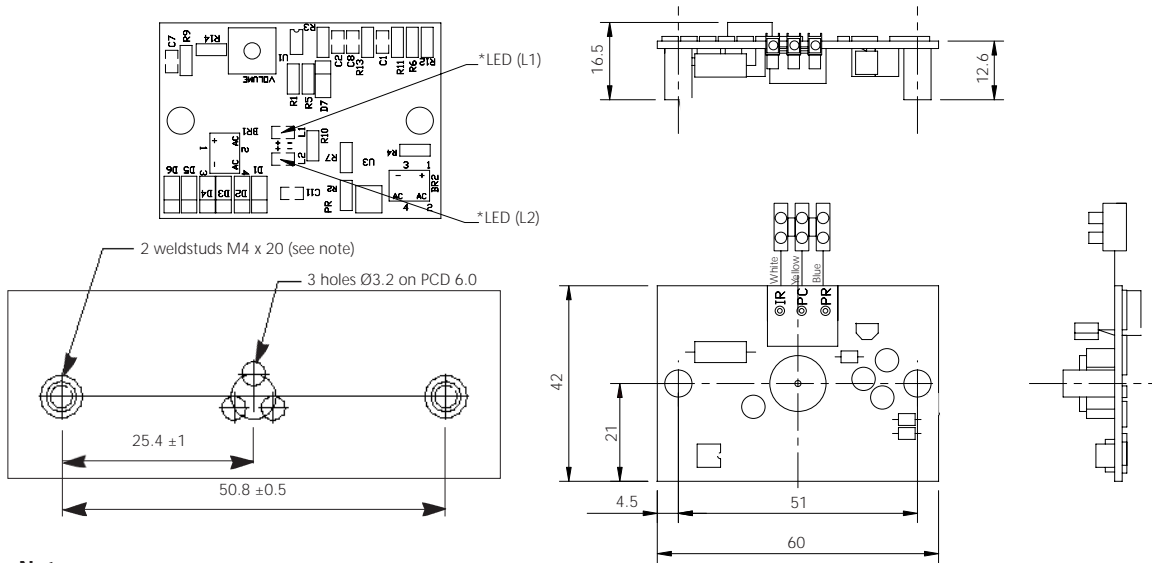
#### Technical Details

Weight	(Standard) 18gms, (Loud) 21gms
Size	(Standard) 60(w) x 42(h) x 16.5(d) mm or (Loud) 60(w) x 42(h) x 24.5(d)
Tone frequency	2.4 Khz
Tone duration	80ms
Supply voltage range	24V d.c. $\pm$ 20%
Volume output	0 - 64 dBA (@ 1m for faceplate) (Standard arrangement only)
Consumption (steady state)	12mA (24V d.c.)
Consumption (peak)	(Standard) 32mA (max) duration 80ms or (Loud) 55mA (max) duration 80ms

#### Marking

PCB is labelled with the part number and the three connection points (IR, PC, PR).

**EN-BUZZ Bleeper Board  
(Standard)  
Part Number 002099-400011**



**Note:**  
For surface mount profile range units, the M4 x 20mm weldstuds need to be cut down to 19.0 ± 0.3mm long

**EN-BUZZ Bleeper Board  
(Loud)  
Part Number 002099-400021**

