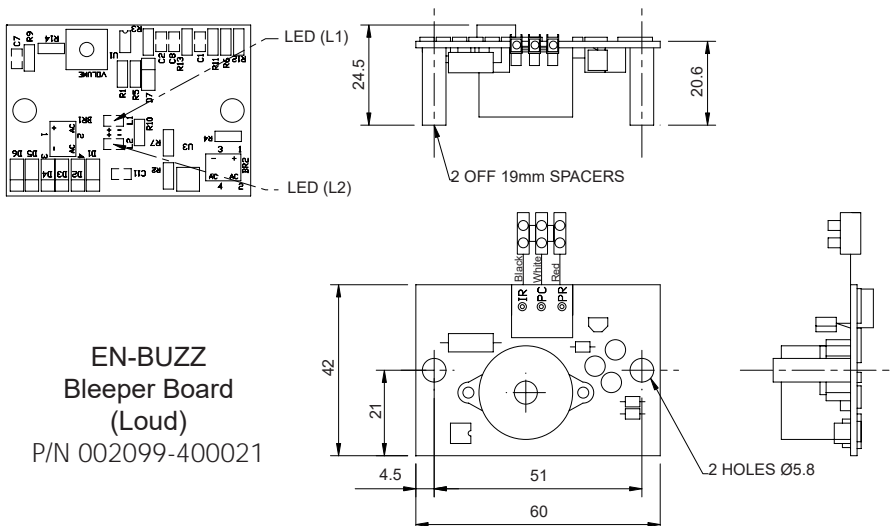
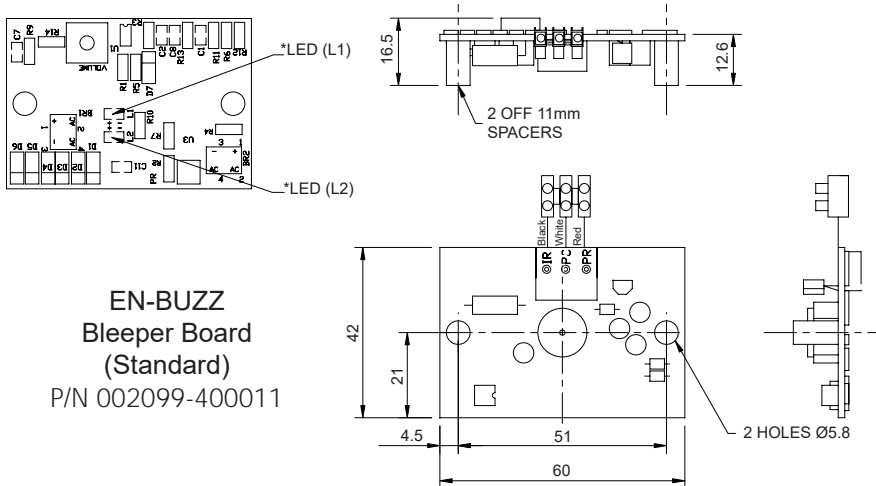


## Installation and Setting Instructions

### 24V EN-BUZZ Bleeper Board (standard and loud) Connection Details

Publication Number - II110/0517

Part Number: 002099-400210



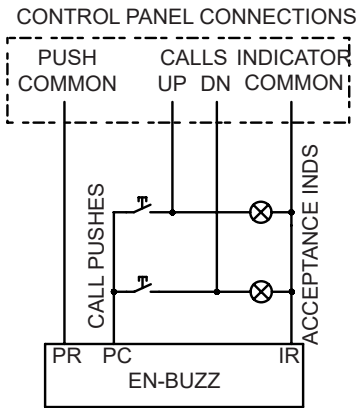
#### Dewhurst UK Limited

Unit 9, Hampton Business Park - Feltham - TW13 6DB - UK

Tel: +44 (0)20 8744 8200 Fax: +44 (0)20 8744 8299

Email: [info@dewhurst.co.uk](mailto:info@dewhurst.co.uk) [www.dewhurst.co.uk](http://www.dewhurst.co.uk)

## 24V EN-BUZZ Connection Diagram when used on a 3 wire call system



**NOTE:**  
EN-BUZZ can only be used on 24V d.c. 3 wire call systems.

The buzzer will sound on each individual operation of the push only when the call has been accepted.

LED STATUS		
LED1	LED2	REMARK
OFF	OFF	OK
ON	OFF	CONNECTION ERROR
OFF	ON	CONNECTION ERROR

Circuit shown is for an intermediate landing station. Similar circuit for terminal and car call stations.

## 24V EN-BUZZ Connection Diagram when used on a 4 wire call system

Option 1  
Positive feed to pushes

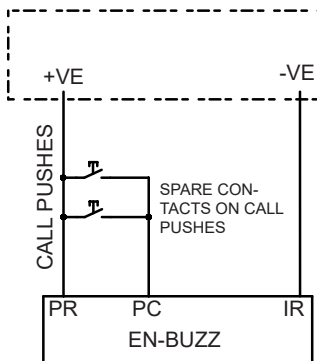
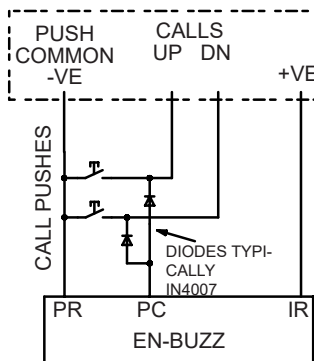
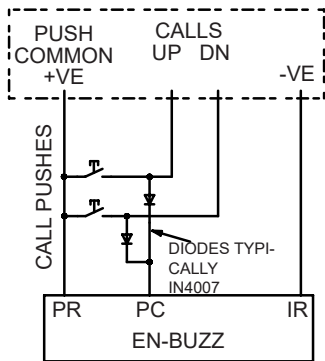
Option 2  
Negative feed to pushes

Option 3  
Call pushes with spare N/O contact

CONTROL PANEL CONNECTIONS

CONTROL PANEL CONNECTIONS

CONTROL PANEL CONNECTIONS



Circuits shown are for intermediate landing stations. Similar circuits for terminal and car call stations.

LED STATUS		
LED1	LED2	REMARK
OFF	OFF	OK
ON	OFF	CONNECTION ERROR
OFF	ON	CONNECTION ERROR

**NOTE:**  
EN-BUZZ can only be used on 24V d.c.

The buzzer will sound with each operation of the call push.